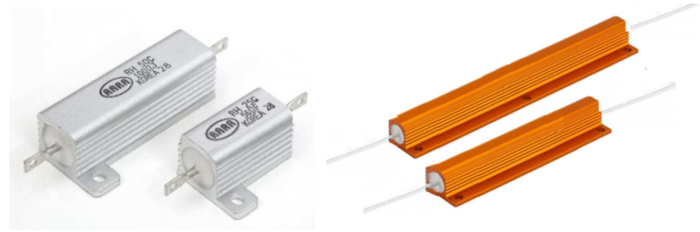


URH Series

Metal Clad Wire Wound Resistors

- Aluminum housed
- Standard or Non-Inductive winding
- Cement molding
- 100% RoHS compliant
- Mounts on chassis to utilize heat sink effect
- High stability at conventional power ratings



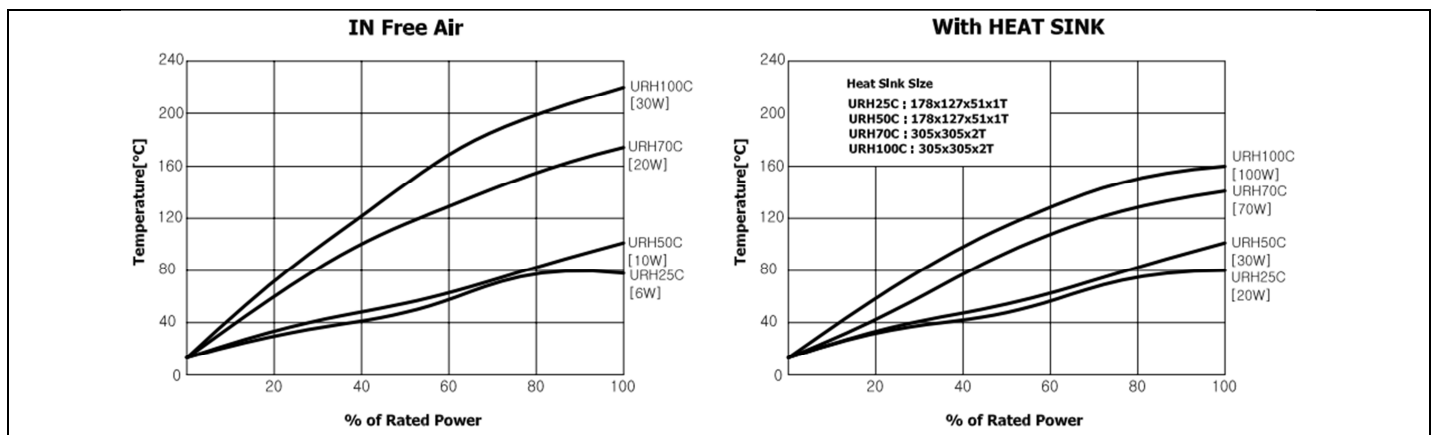
GENERAL SPECIFICATIONS

Model	Standard Type	Power Rating		Resistance Range		Temperature Coefficient			Resistance Tolerance [%]
		With Heat sink	In Free Air	Inductive	Non Inductive	Measuring Temp ; -55°C, 25°C, 250°C			
						± 110 [ppm/°C]	± 70 [ppm/°C]	± 60 [ppm/°C]	
URH25C	Terminal	20 W	8 W	0.27Ω~ 25kΩ	0.1~ 10kΩ	0.1Ω~ 0.976Ω	1Ω~ 19.6Ω	20Ω~	F[±1] G[±2] J[±5]
URH50C	Terminal	30 W 50 W	10 W	0.68Ω~ 50kΩ	0.2Ω~ 20kΩ	0.2Ω~ 0.976	1Ω~ 19.6Ω	20Ω~	
URH70C	Wire	70 W	20 W	8Ω~ 1.3kΩ	4Ω~ 100Ω	±260 ppm/°C			
URH100C	Wire	100 W	30 W	10Ω~ 1.63kΩ	5Ω~ 117Ω				

CHARACTERISTICS

Test	Resistance value	Condition
Operating Temp.		URH25C/50C: -55°C ~ +130°C URH70C/100C: -55°C ~ +200°C
Insulation Resistance		20MΩ Minimum
Dielectric Withstanding Voltage	±0.2%+0.05Ω	AC1500V for 1minute; Max. leakage current 2mA Option : AC 2000V for 1minute
Short Time Overload	URH25C/50C	5 x Power rating 5 seconds
	URH70C/URH100C	
Load Life	~30W±[1%+0.05]Ω 50W~±[3%+0.05]Ω	Power rating 1.5 hours 30 minutes off 1000 hours
Thermal Shock	±[0.5%+0.05]Ω	Power rating 30minutes , -55°C 15~30minutes

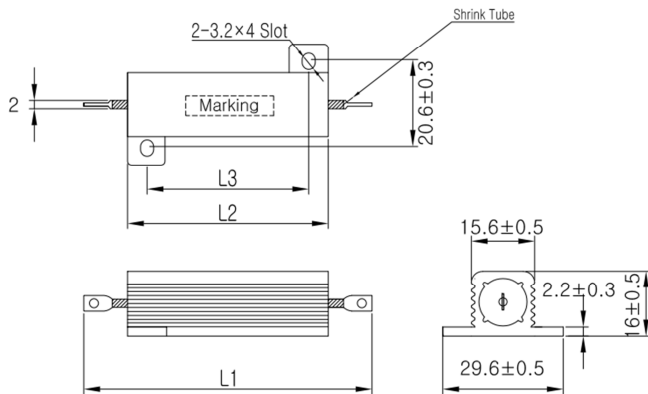
SURFACE TEMPERATURE INCREASE VERSUS POWER LOAD



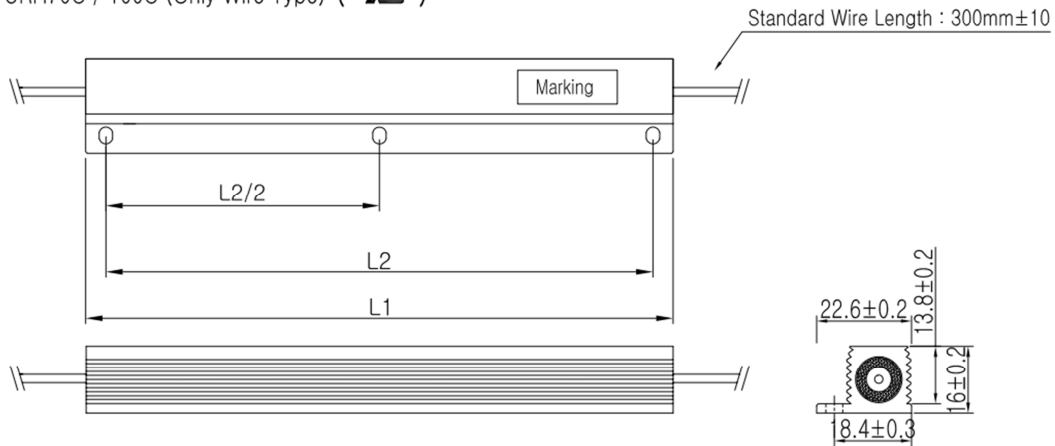
DIMENSIONS

Unit : mm

URH25C / URH50C (Only Terminal Type) ()



URH70C / 100C (Only Wire Type) ()

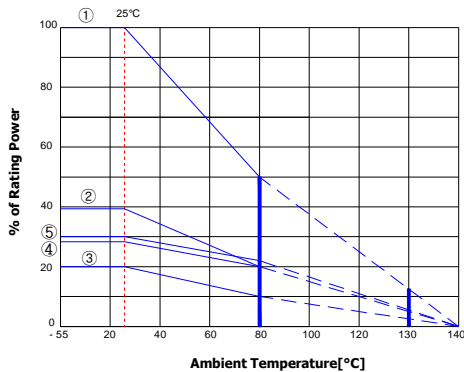


URH70 / URH100 Standard wire : UL1330 AWG18

Model	Dimensions (mm)			Weight(g)
	L1	L2	L3	
URH25C	59.4 ± 1.5	27.1 ± 0.5	18.3 ± 0.3	16.5
URH50C	80.8 ± 1.5	49.3 ± 0.5	39.7 ± 0.3	35
URH70C	116 ± 2	65 ± 0.5	-	75
URH100C	140 ± 2	130 ± 0.5		120

* URH70 Model has 2 mounting hole, If More Detailed info. Please contact RARA

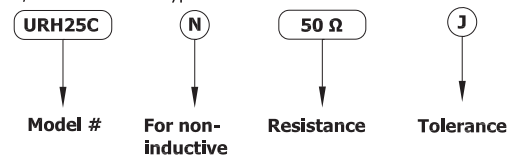
DERATING CURVE



- ① URH Series with HeatSink
 -> (At 25°C 100% / At 80°C 50%)
- ② URH25 Free Air
 -> (At 25°C 6W / 80°C 3W)
- ③ URH50 Free Air
 -> (At 25°C 10W / 80°C 5W)
- ④ URH70 Free Air
 -> (At 25°C 20W / 80°C 15W)
- ⑤ URH100 Free Air
 -> (At 25°C 30W / 80°C 22.5W)

ORDERING PROCEDURE EXAMPLE

URH25C / 50C : Terminal Type



URH70C / 100C : Wire Type

