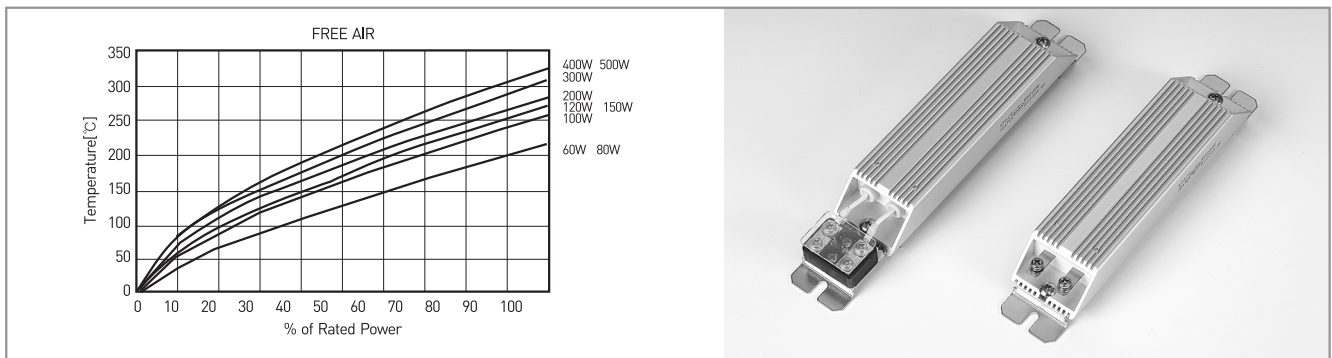


## Space Heaters

### GENERAL SPECIFICATIONS

Model	Rated Power[W]	Resistance Range[Ω]					Voltage Rating[V]	Frequency [Hz]
		AC110V	AC120V	AC220V	AC230V	AC240V		
RSH(T)50	50	242~266	288~317	968~1065	1058~1164	1152~1267	AC110V~AC240V	50Hz ~60Hz
RSH(T)60	60	202~222	240~264	807~886	881~969	960~1056		
RSH(T)80	80	151~166	180~198	605~665	661~727	720~792		
RSH(T)100	100	121~133	144~158	484~532	529~582	576~634		
RSH(T)120	120	100~110	120~132	403~443	440~484	480~528		
RSH(T)150	150	80~87	96~105	322~354	352~387	384~422		
RSH(T)200	200	60~66	72~79	242~266	264~290	288~317		
RSH300	300	40~44	48~52	161~177	176~194	192~211		
RSH400	400	30~33	36~39	121~133	133~145	144~158		
RSH500	500	24~26	29~32	97~106	106~116	115~126		

### SURFACE TEMPERATURE INCREASE VERSUS POWER LOAD



### DIMENSIONS [mm]

Model	Resistance Range[Ω]	
	L1±2	L2±2
RSHT 50	151	135
RSHT 60	201	185
RSHT 80	201	185
RSHT 100	217	200
RSHT 120	234	217
RSHT 150	262	245
RSHT 200	280	263
RSH 50	127	110
RSH 60	177	160
RSH 80	177	160
RSH 100	192	175
RSH 120	209	192
RSH 150	237	220
RSH 200	255	238
RSH 300	267	249.5
RSH 400	317	299.5
RSH 500	387	369.5